

---

## Solutions to the Final Exam

---

### Problem 1

- (a) Consider the convolution formula

$$v[n] = (x * y)[n] = \sum_k x[k]y[n - k].$$

To determine the support set of  $v[n]$ , we can find the values of  $n$  for which the convolution is zero. In general, the right hand side is zero if and only if  $n$  is such that for every  $k \in \mathbb{Z}$ ,  $x[k] = 0$  or  $y[n - k] = 0$ .

If  $k \notin \{0, 1, \dots, N-1\}$ ,  $x[k] = 0$  since  $x[n]$  has support of length  $N$ . If  $k \in \{0, 1, \dots, N-1\}$ , then in general  $x[k] \neq 0$ , so we need  $y[n - k] = 0$  in that case for the convolution to be zero. But since the support of  $y[n]$  has length  $M$ ,  $y[n - k] = 0$  if  $n < k$  or  $n > M - 1 + k$ , and since we want to know when this is true for all  $0 \leq k \leq N - 1$ , we find that we need either  $n < 0$  or  $n > M + N - 2$ . Therefore, the support set of  $v[n]$  has length  $M + N - 1$ .

- (b) From the properties of the DTFT, we know that convolution in time equals multiplication in frequency, so

$$V(e^{j\omega}) = X(e^{j\omega})Y(e^{j\omega}) = \left( \sum_n x[n]e^{-j\omega n} \right) \left( \sum_m y[m]e^{-j\omega m} \right).$$

- (c) In Homework 3 and, in similar form, in the midterm exam, you have already learned that if the DTFT of a sequence of length  $M + N - 1$  is sampled at only  $M$  points (assuming  $M < M + N - 1$ ), then the resulting sequence can be zero, even if the original sequence was non-zero. This should already make you suspect that the same is the case here: from (a) we know that  $v[n]$  has length  $M + N - 1$ , and we are sampling its DTFT at only  $M$  points. This argumentation, while pointing in the right direction, is not sufficient to show that the claim can be true, however; we need to specifically show that it can be true when the sequence under consideration resulted from the convolution of two sequences of length  $M$  and  $N$ , respectively.

Let us solve this problem for general values of  $N$  and  $M$ . Using the multiplication property from (b) with  $\omega = 2\pi k/M$ , we have

$$\tilde{V}[k] = \left( \sum_n x[n]e^{-j\frac{2\pi kn}{M}} \right) \left( \sum_m y[m]e^{-j\frac{2\pi km}{M}} \right).$$

This expression is zero for all  $k \in \{0, 1, \dots, M - 1\}$  if for each such  $k$  at least one of the two terms on the right hand side is zero. We proceed now to construct  $x[n]$  and  $y[n]$  such that the first term is zero for  $k = 0$ , and the second term is zero for  $k \in \{1, \dots, M - 1\}$ .

For  $k = 0$ , the first term becomes  $\sum_n x[n]$ . Let us thus choose  $x[n]$  such that this sum is zero, for instance by setting  $x[n] = \delta[n] - \delta[n - 1]$ . (Note that a *non-zero* sequence  $x[n]$  for which  $\sum_n x[n] = 0$  exists only if  $N > 1$ .)

As for the second term, we can recognize it as the DFT of the (length- $M$ ) sequence  $y[n]$ . Since we want it to be zero for  $k \in \{1, \dots, M - 1\}$ , we can construct the DFT  $Y[k]$  with this property, *e.g.*,  $Y[k] = \delta[k]$ . Then we take  $y[n]$  to be the inverse DFT of  $Y[k]$ , *i.e.*,  $y[n] = 1/M$  for  $0 \leq n \leq M - 1$ .

In conclusion, provided that  $1 < N \leq M$ , we can always find two sequences  $x[n]$  and  $y[n]$  for which the property is true; in particular, this holds for the case where  $N = 7$  and  $M = 10$ .

## Problem 2

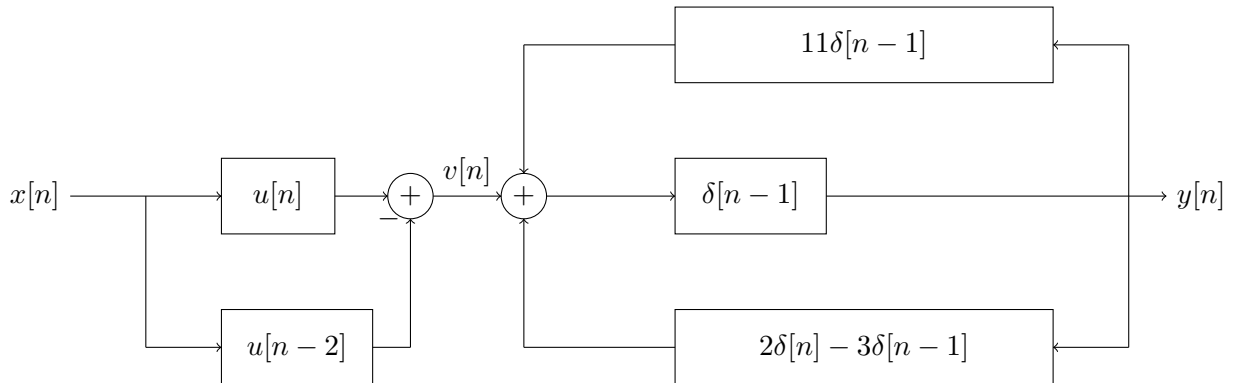
- (a) The important point you need to have in mind to solve this problem is the fact that for any sequence  $t[n]$ , we have  $t[n] * \delta[n - m] = t[n - m]$ .

Now, note that the sequence  $v[n]$  shown in Fig. 1 is

$$v[n] = x[n] * u[n] - x[n] * u[n - 2] = x[n] * (u[n] - u[n - 1]).$$

However, the transfer system from  $x[n]$  to  $v[n]$  can be simplified as

$$u[n] - u[n - 2] = \delta[n] + \delta[n - 1].$$



**Figure 1:** System with Impulse Response  $h[n]$ .

Therefore,

$$v[n] = x[n] * (\delta[n] + \delta[n - 1]) = x[n] + x[n - 1].$$

In the second part of the system with feedback, we have

$$\begin{aligned} y[n] &= (y[n] * 11\delta[n - 1] + y[n] * (2\delta[n] - 3\delta[n - 1]) + v[n]) * \delta[n - 1] \\ &= (11y[n - 1] + 2y[n] - 3y[n - 1] + x[n] + x[n - 1]) * \delta[n - 1] \\ &= 8y[n - 2] + 2y[n - 1] + x[n - 1] + x[n - 2], \end{aligned}$$

which is the difference equation of the system.

- (b) You can simply find the system transfer function by taking the  $z$ -transform of the difference equation.

$$Y(z) = 8z^{-2}Y(z) + 2z^{-1}Y(z) + z^{-1}X(z) + z^{-2}X(z)$$

Therefore,

$$Y(z)(1 - 2z^{-1} - 8z^{-2}) = X(z)(z^{-1} + z^{-2})$$

and

$$H(z) = \frac{Y(z)}{X(z)} = \frac{z^{-1} + z^{-2}}{1 - 2z^{-1} - 8z^{-2}}.$$

- (c) The zeros and poles of a transfer function are the roots of its nominator and denominator, respectively.

$$\begin{aligned} \text{zeros: } z^{-1} + z^{-2} = 0 &\Rightarrow z^{-1} = -1, 0 \Rightarrow z = -1, \infty \\ \text{poles: } 1 - 2z^{-1} - 8z^{-2} = 0 &\Rightarrow z^{-1} = -\frac{1}{2}, \frac{1}{4} \Rightarrow z = -2, 4. \end{aligned}$$

None of the zeros and poles are repeated, and the multiplicity of all is 1.

- (d) Having the assumption  $y[n] = 0$  for  $n < 0$ , we conclude that the system is causal. Among all possible regions of convergence (characterized by the poles of  $H(z)$ ),  $|z| > 4$  is the only one corresponding to a right-sided sequence. By doing partial fraction of  $H(z)$ , we have

$$H(z) = \frac{z^{-1}(1 + z^{-1})}{(1 + 2z^{-1})(1 - 4z^{-1})} = z^{-1} \left( \frac{A}{1 + 2z^{-1}} + \frac{B}{1 - 4z^{-1}} \right)$$

where  $A$  and  $B$  have to be computed such that the equality holds. By solving a system of linear equations, we can find them as

$$\begin{cases} A + B = 1 \\ -4A + 2B = 1 \end{cases} \Rightarrow \begin{cases} A = \frac{1}{6} \\ B = \frac{5}{6} \end{cases}$$

Hence,

$$H(z) = z^{-1} \left( \frac{1}{6} \frac{1}{1 + 2z^{-1}} + \frac{5}{6} \frac{1}{1 - 4z^{-1}} \right),$$

and

$$\begin{aligned} h[n] &= \delta[n - 1] * \left( \frac{1}{6}(-2)^n u[n] + \frac{5}{6}4^n u[n] \right) \\ &= \frac{1}{6}(-2)^{n-1} u[n - 1] + \frac{5}{6}4^{n-1} u[n - 1] \\ &= \frac{1}{6}(-2)^{n-1} u[n - 1] + \frac{5}{6}4^{n-1} u[n - 1] \\ &= \left( -\frac{1}{12}(-2)^n + \frac{5}{24}4^n \right) u[n] - \frac{1}{8}\delta[n]. \end{aligned}$$

- (e) It is clear from the transfer function that the system is linear.
- (f) Since all the filters used in the system are time-invariant, the whole system is also time-invariant.
- (g) Since the region of convergence is  $|z| > 4$ , and it does not contain the unit circle, the DTFT is not defined and system is not stable.

### Problem 3

- (a) From the sampling theorem, we know that  $\Omega_s = 2\Omega_N$  is such that any sampling frequency larger than  $\Omega_s$  allows perfect reconstruction of  $x_c(t)$ .
- (b) Yes, perfect reconstruction is possible, because  $\Omega'_s \geq \Omega_s$ .
- (c) The DTFT of the sample sequence  $u[n]$  is given in Figure 2.

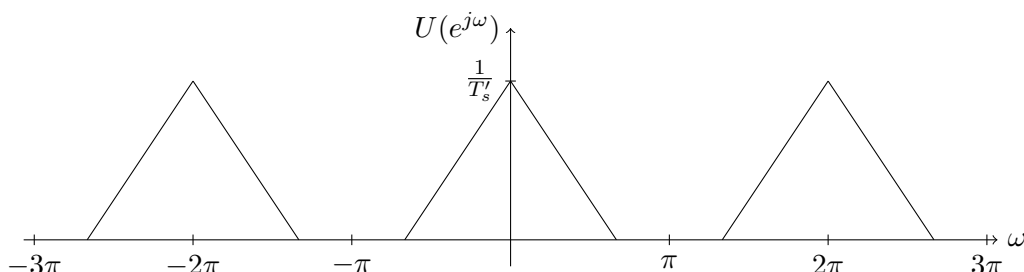


Figure 2: Problem 3 (c)

- (d) Upsampling by a factor of 2 has the effect of “contracting” the DTFT horizontally by a factor of 2. Hence, we obtain the DTFT in Figure 3.

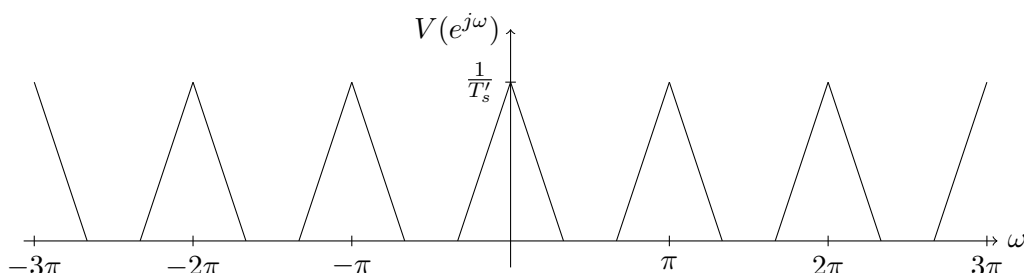


Figure 3: Problem 3 (d)

- (e) Consider first the continuous-time function

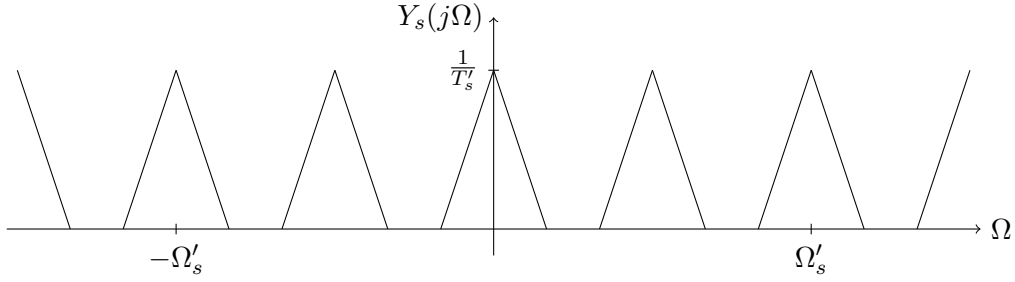
$$y_s(t) = \sum_{n=-\infty}^{\infty} v[n]\delta(t - nT'_s).$$

This is just a sequence of delta-pulses, whose amplitudes are  $v[0], v[1], v[2], \dots$  (we call this a pulse-train). The CTFT of  $y_s(t)$  is given in Figure 4. The sinc interpolation of  $v[n]$  is

$$y_c(t) = \sum_{n=-\infty}^{\infty} v[n] \operatorname{sinc}\left(\frac{t - nT'_s}{T'_s}\right).$$

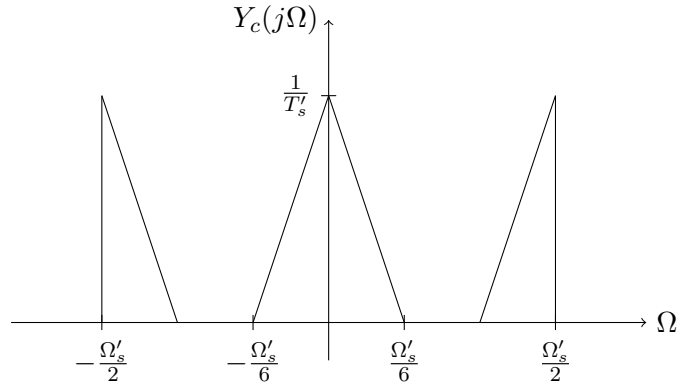
Hence, it can be shown that  $y_c(t) = y_s(t) * \operatorname{sinc}\left(\frac{t}{T'_s}\right)$ . In the frequency domain, this convolution corresponds to the multiplication

$$Y_c(j\Omega) = Y_s(j\Omega)T'_s \mathbf{1}_{\left[-\frac{\Omega'_s}{2}, \frac{\Omega'_s}{2}\right]},$$



**Figure 4:** Problem 3 (e)

where the box function  $T'_s \mathbf{1}_{[-\frac{\Omega'_s}{2}, \frac{\Omega'_s}{2}]}$  is simply the CTFT of  $\text{sinc}(\frac{t}{T'_s})$ . The resulting CTFT  $Y_c(j\Omega)$  is given in Figure 5.



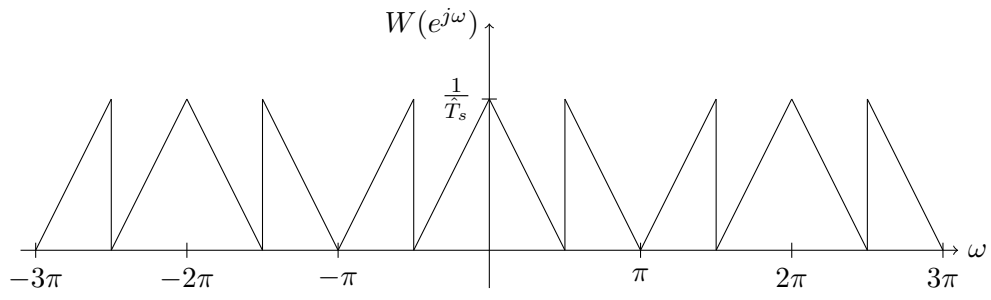
**Figure 5:** Problem 3 (e)

- (f) Here, the spectrum  $Y_c(j\Omega)$  has support  $[-\frac{\Omega'_s}{2}, \frac{\Omega'_s}{2}]$ . According to the sampling theorem, the limit sampling frequency is equal to the width of this support, namely  $\tilde{\Omega}_s = 2\frac{\Omega'_s}{2} = \Omega'_s$ .
- (g) To find out how to sketch the DTFT of  $w[n]$ , we observe that the support of  $Y_c(j\Omega)$  is  $[-\frac{\Omega'_s}{2}, \frac{\Omega'_s}{2}] = [-\frac{3}{2}\Omega_N, \frac{3}{2}\Omega_N]$ . Now, we sample  $y_c(t)$  at  $\hat{\Omega}_s = 2\Omega_N$ , which will correspond to  $2\pi$  in the DTFT sketch. Hence, the support of one “copy” of the spectrum in the DTFT is  $[-\frac{3}{2}\pi, \frac{3}{2}\pi]$ . The result is shown in Figure 6.
- (h) Yes, perfect reconstruction is possible. We can see this because there is no aliasing in the DTFT in Figure 6. First, we sketch the CTFT of  $\hat{y}_s(t)$ , which is the pulse-train that corresponds to  $w[n]$ . This sketch is shown in Figure 7.

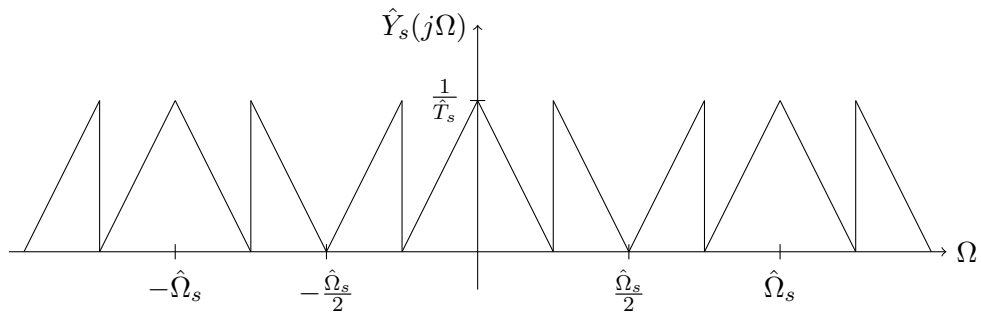
To recover  $y_c(t)$ , we can use a filter that combines a low-pass and a band-pass filter. Such a filter  $H_r(j\Omega)$  is shown in Figure 8.

Mathematically, the frequency response of the filter is

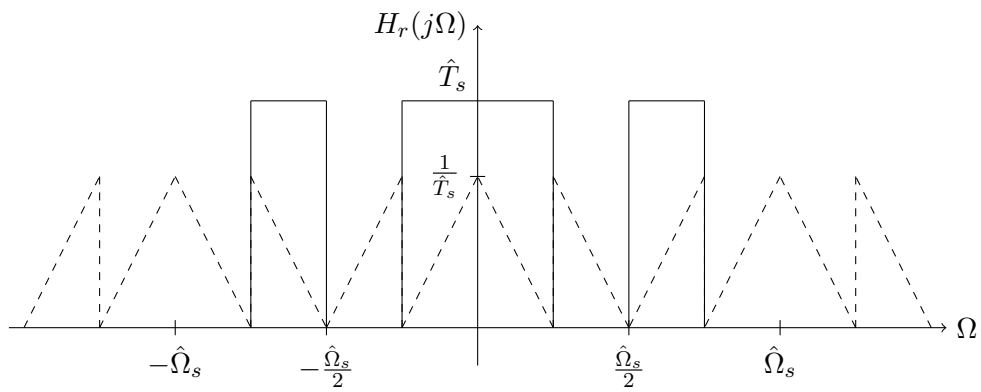
$$H_r(j\Omega) = \begin{cases} \hat{T}_s & \text{if } |\Omega| \in [\frac{1}{2}\hat{\Omega}_s, \frac{3}{4}\hat{\Omega}_s], \\ \hat{T}_s & \text{if } |\Omega| \in [0, \frac{1}{4}\hat{\Omega}_s], \\ 0 & \text{otherwise.} \end{cases}$$



**Figure 6:** Problem 3 (g)



**Figure 7:** Problem 3 (h)



**Figure 8:** Problem 3 (h)

## Problem 4

- (a) Since the system from  $x[n]$  and  $y[n]$  to  $u[n]$  is LTI, we can simply write

$$u[n] = U_2(x[n]) + U_2(y[n]) * \delta[n - 1].$$

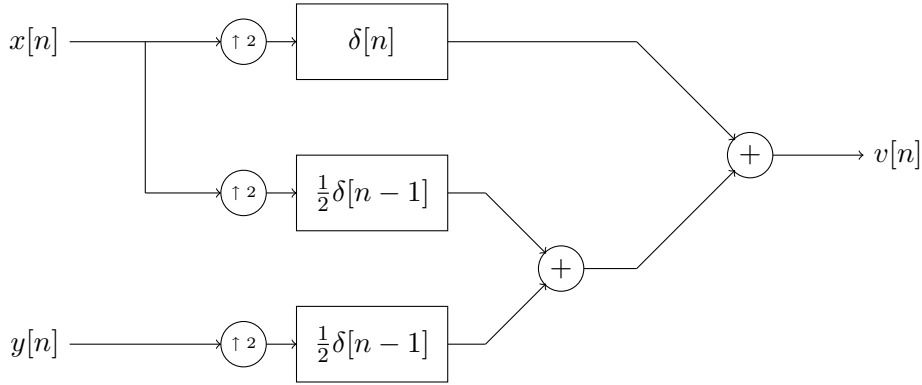
So, is it clear that

$$u[n] = \begin{cases} x[\frac{n}{2}] & \text{if } n \text{ is even} \\ y[\frac{n-1}{2}] & \text{if } n \text{ is odd.} \end{cases}$$

Therefore, after the time-variant operator,  $\mathcal{S}$ , we get

$$v[n] = \mathcal{S}\{u[n]\} = \begin{cases} x[k] & \text{if } n = 2k \\ \frac{1}{2}x[k] + \frac{1}{2}y[k] & \text{if } n = 2k + 1. \end{cases} \quad (1)$$

- (b) The system shown in Fig. 9 is equivalent to the system considered in the problem. Note that all the filters used in the equivalent system are linear and time-invariant.



**Figure 9:** Equivalent multirate system

- (c) It is clear from the equivalent system that

$$v[n] = U_2(x[n]) * \delta[n] + U_2(x[n]) * \frac{1}{2}\delta[n - 1] + U_2(y[n]) * \frac{1}{2}\delta[n - 1].$$

Therefore,

$$\begin{aligned} V(z) &= X(z^2) + \frac{1}{2}z^{-1}X(z^2) + \frac{1}{2}z^{-1}Y(z^2) \\ &= (1 + \frac{1}{2}z^{-1})X(z) + \frac{1}{2}z^{-1}Y(z). \end{aligned}$$

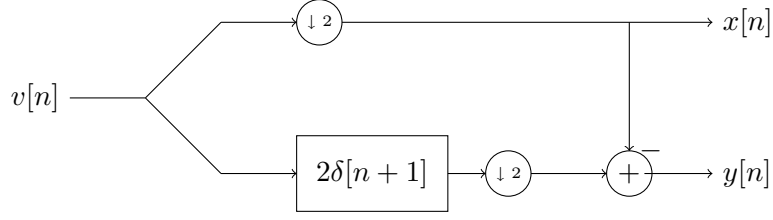
- (d)  $a[n]$  is just the down-sampled version of  $v[n]$  by a factor 2, *i.e.*, it only contains the even-index samples of  $v[n]$ . So, from (1), it is clear that

$$a[n] = v[2n] = x[n].$$

We can also easily see that  $b[n]$  takes the odd-indices of the input sequence. Therefore,

$$b[n] = D_2(v[n] * \delta[n + 1]) = D_2(v[n + 1]) = v[2n + 1] = \frac{1}{2}x[n] + \frac{1}{2}y[n].$$

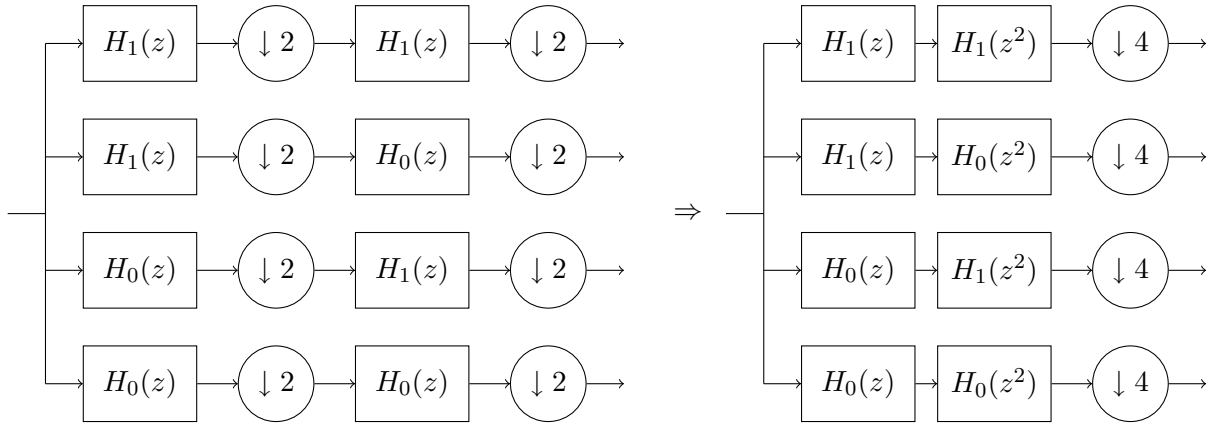
- (e) Having the system in part (d), it is easy to do a little modification to come up with the inverse system. Note that  $x[n]$  is already produced at one of the output branches, and we only have to scale the other output, and subtract  $x[n]$ . Hence, we obtain the following system.



**Figure 10:** Inverse system

## Problem 5

- (a) Using the Noble identities, we can transform the given filter bank as shown in Figure 11. The resulting filters are



**Figure 11:** Transformation of the filter bank of Problem 5(a) using the Noble identities.

$$\tilde{h}^{(1)}[n] = \frac{1}{2}(\delta[n] - \delta[n+1] - \delta[n+2] + \delta[n+3])$$

$$\tilde{h}^{(2)}[n] = \frac{1}{2}(\delta[n] - \delta[n+1] + \delta[n+2] - \delta[n+3])$$

$$\tilde{h}^{(3)}[n] = \frac{1}{2}(\delta[n] + \delta[n+1] - \delta[n+2] - \delta[n+3])$$

$$\tilde{h}^{(4)}[n] = \frac{1}{2}(\delta[n] + \delta[n+1] + \delta[n+2] + \delta[n+3]).$$

This can be seen either visually, computing directly the convolution of the respective filters, or by going through the Z-transform, which, for instance, gives for the first branch

$$H^{(1)}(z) = \frac{1}{2}(1-z)(1-z^2) = \frac{1}{2}(1-z-z^2+z^3).$$

$h^{(1)}[n]$  then follows easily from the correspondence  $z^i \leftrightarrow \delta[n+i]$ .

- (b) We can write the output of branch  $i$  as

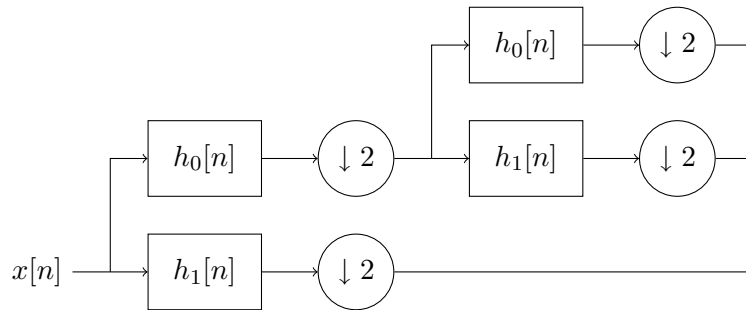
$$v_i = (x * h^{(i)})[0] = \sum_{k=0}^3 x[k]h^{(i)}[-k],$$



from which we find  $M_{(i,k)} = h^{(i)}[-k]$ . The resulting matrix is then

$$\mathbf{M} = \frac{1}{2} \begin{bmatrix} 1 & -1 & -1 & 1 \\ 1 & -1 & 1 & -1 \\ 1 & 1 & -1 & -1 \\ 1 & 1 & 1 & 1 \end{bmatrix}.$$

- (c) Let us study the matrix  $\mathbf{M}'$ . Our first observation is that the first two rows of  $\mathbf{M}'$  are the same as rows 4 and 3 of the matrix  $\mathbf{M}$  of Question (b). We can therefore simply take the corresponding branches of the original filter tree and install them into our new filter tree. Next, consider the last two rows of  $\mathbf{M}'$ . The corresponding filter bank outputs are  $v'_3 = x[0] - x[1]$  and  $v'_4 = x[2] - x[3]$ . This is as if first  $x[0], x[1]$  and then  $x[2], x[3]$  were passed through the filter  $h_1[n]$ . Thus, the last two rows of  $\mathbf{M}'$  can be implemented by a single branch consisting of the single filter  $h_1[n]$  followed by downsampling by a factor 2. Figure 12 shows the final filter bank tree.



**Figure 12:** Filter tree corresponding to the matrix  $\mathbf{M}'$  of Problem 5(c). Every time the first two branches produce one output each, the third branch produces two outputs.